

Buoy Cam

Marinized Cellular IP Camera

The Wassoc Buoy Cam is a cellular IP camera and IoT device designed for remote environmental monitoring. Ruggedized for the marine environment, the Buoy Cam provides live view, scheduled, and triggered capture from nearshore buoys and other remote sites. Compact, low power, configurable, and with viewport wiper, the Buoy Cam provides reconnaissance and visual data where you need it most.



Features



Compact Design



12MP / 1080p Image Sensor



Cellular Connectivity

How It Works

The Buoy Cam is initially configured through a web interface and supplied programming cable. Once set up, it is installed on a platform with power and cellular coverage. The Buoy Cam operates autonomously to capture images and video as programmed and to upload and notify the user via a cloud server. Through the cloud interface, the user is able to change program parameters and view a live stream.

Specifications (subject to change)

Mechanical

Housing Material Anodized Aluminum, SS, Delrin
 Dimensions (L x Major OD), in [cm] 5.5 [14] x 3.13 [8]
 Weight (in air), lbs [kg] 1.3 [0.6]
 Connector SUBCONN MCBH8M

Environmental

Housing IP68
 Operating Temp -20 to +60°C

Electrical

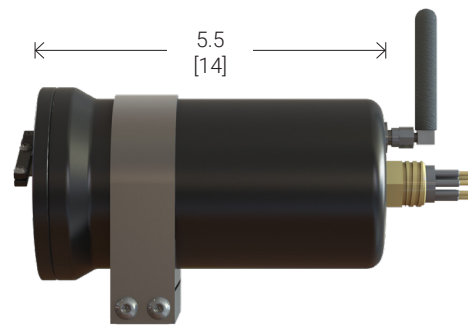
Power Supply 12–36 VDC
 Power Consumption Active: ~2W; Standby: ~60mW

Optical

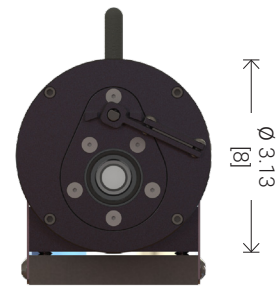
Viewport Sapphire, integrated wiper
 Camera 12MP 1/2.3 Backlit CMOS
 Lens 3.9 mm Focal Length, F2.8, FOV: 75° (multiple options)

System

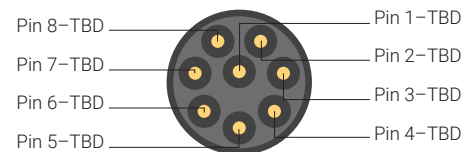
Comms RS-485, Wifi, Cellular
 Trigger Analog, 0–12VDC



Side View
 *Not to Scale
 in [cm]



Front View
 *Not to Scale
 in [cm]



Connector Detail
 *Not to Scale

600-10001-Defn1